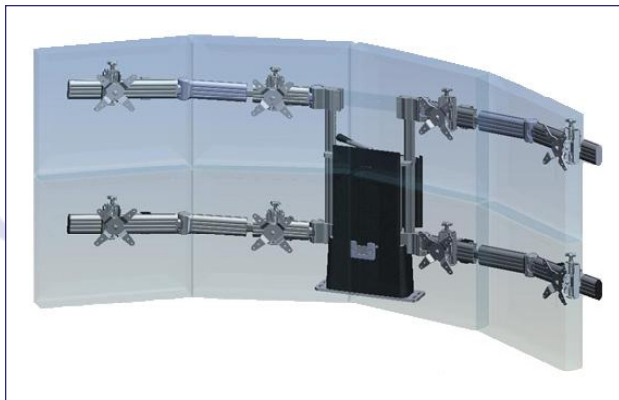
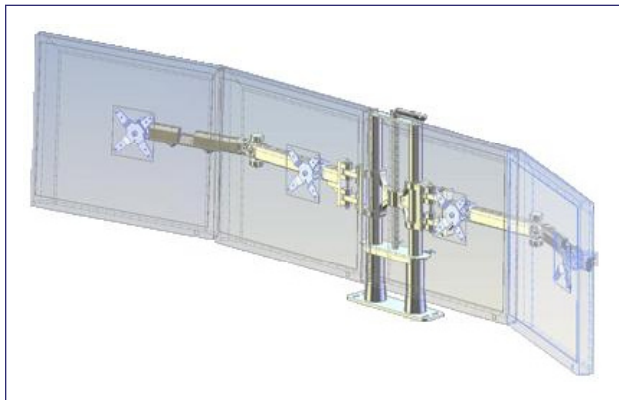


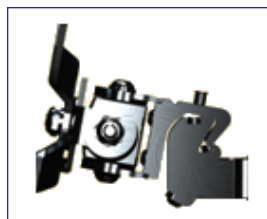
Multi-Systems



Model Number 900-F20-B44



Model Number 600-F16-B04



Patented
"Quick Release" Pivot



Height Adjustable
Pivot

PRODUCT HIGHLIGHTS

- Expands from 2 to 10 monitors quickly and cost effectively.
- "Quick Release" pivot mounts provide one-step mounting and dismounting.
- "Tool-less" design.
- Adjustable horizontal bars with telescoping wings.
- Precision vertical adjustment.

PRODUCT SPECIFICATIONS

- Pivots 20°up/10°down for each monitor
- 6" Vertical adjustment up/down
- 75mm and 100mm VESA® compatible
- Holds monitors up to 25 lbs. each
- Lifetime Warranty

PRODUCT OPTIONS

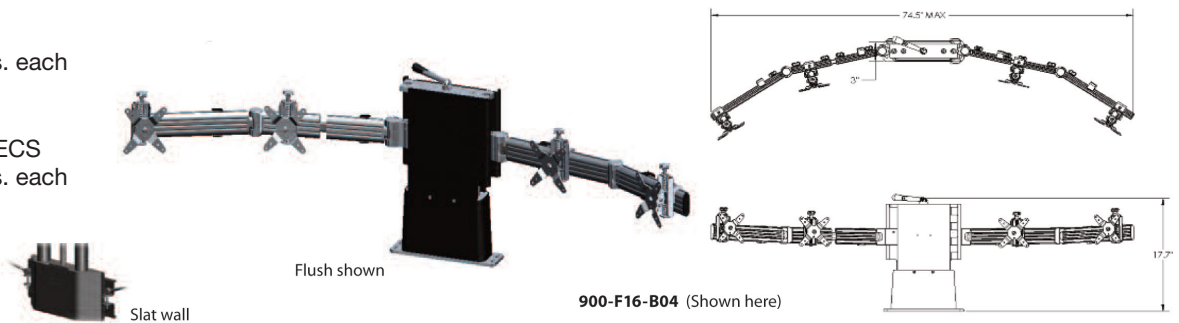
- Black or Silver
- Slatwall or flush mounts
- Tamper-proof pivot for monitor security available
- Height Adjustable Pivot
- Additional arm articulation with the 500 series

See back for specifications and product details.

900-S16-B04 Quad Apex with slatwall mount
900-F16-B04 Quad Apex with flush mount

SPECS

LCD Weight: Up to 25 lbs. each
 Rotation: 360°
 Tilt: 20°+/10°-
 Color: Black or Silver
 SPECS
 LCD Weight: Up to 25 lbs. each
 Rotation: 360°
 Tilt: 20°+/10°-
 Color: Black or Silver

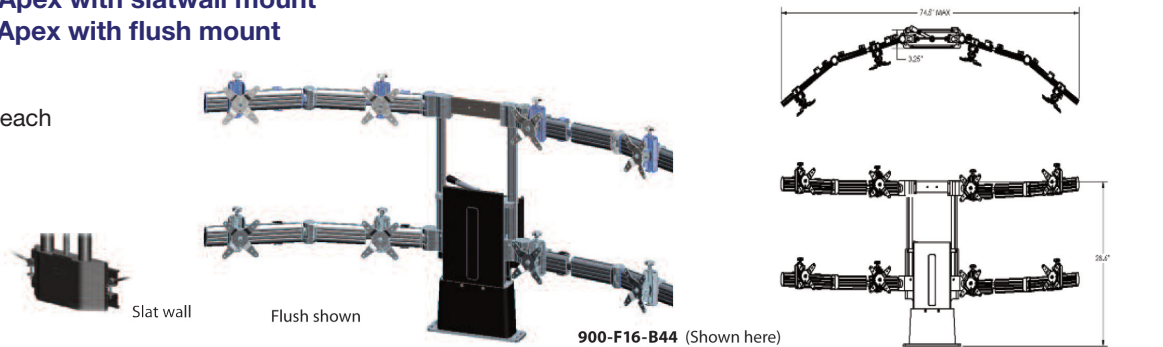


900-F16-B04 (Shown here)

900-S16-B44 Two Tier Apex with slatwall mount
900-F16-B44 Two Tier Apex with flush mount

SPECS

LCD Weight: Up to 25 lbs. each
 Rotation: 360°
 Tilt: 20°+/10°-
 Color: Black or Silver

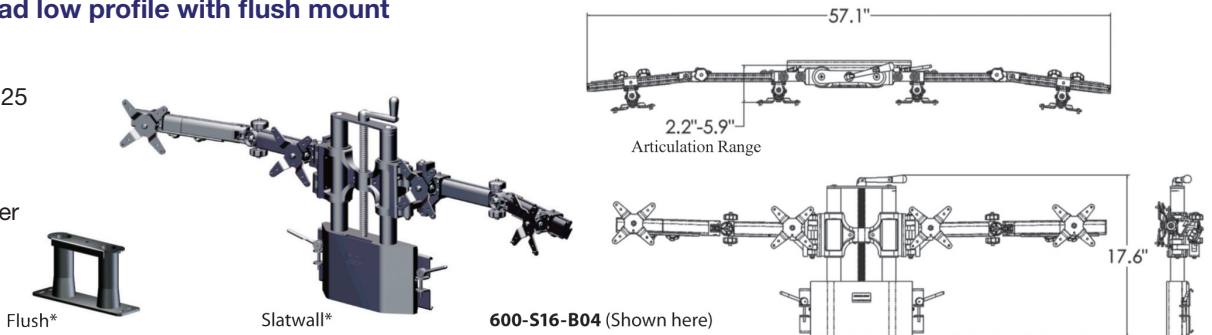


900-F16-B44 (Shown here)

600-S16-B04 Quad low profile with slatwall mount
600-F19-B04 Quad low profile with flush mount

Specs

LCD Weight: Up to 25 lbs. each
 Rotation: 360°
 Tilt: 20°+/10°-
 Color: Black or Silver

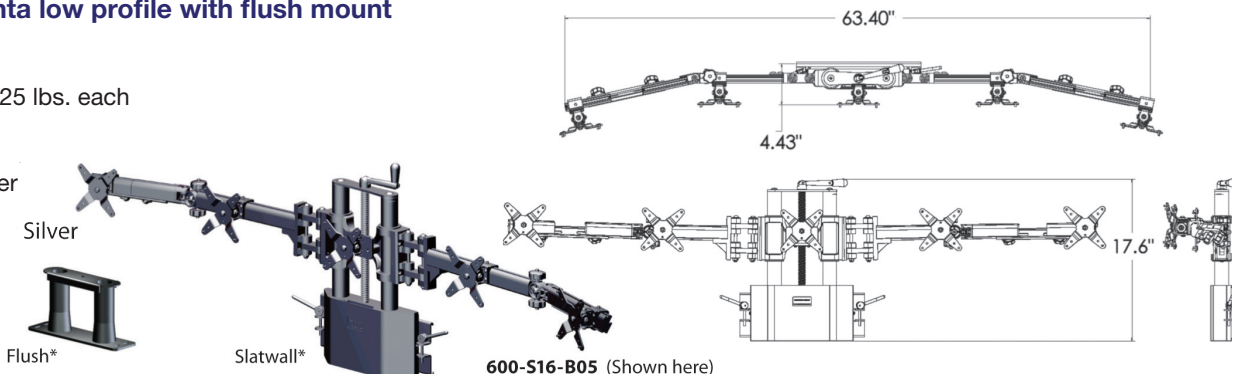


600-S16-B04 (Shown here)

600-S16-B05 penta low profile with slatwall mount
600-F19-B05 penta low profile with flush mount

Specs

LCD Weight: Up to 25 lbs. each
 Rotation: 360°
 Tilt: 20°+/10°-
 Color: Black or Silver



600-S16-B05 (Shown here)

*See www.ergotechgroup.com for mounting specifications.