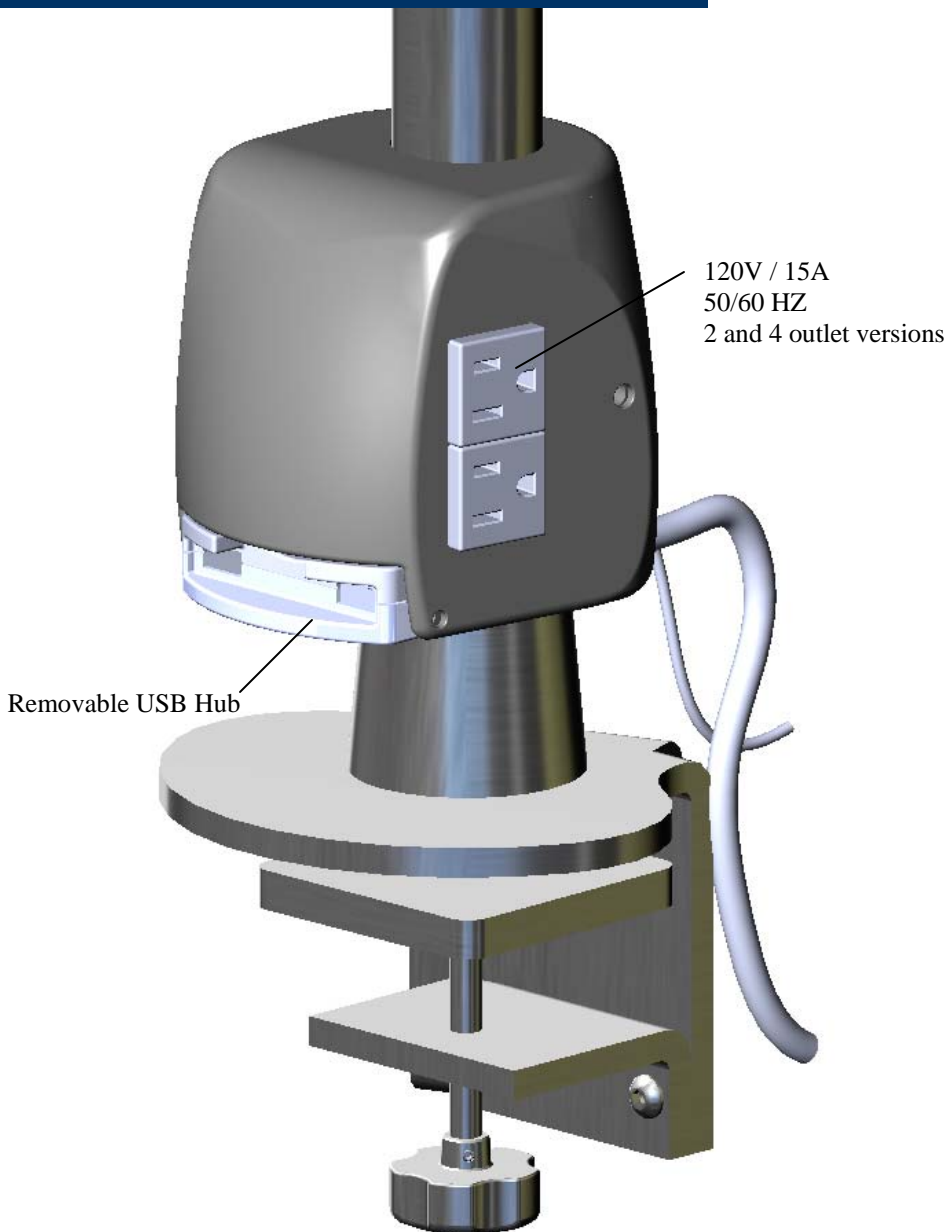


CONNECTIVITY



Product Highlights

- Power / Connectivity units can be purchased separately or as part of a mounting unit.
- Separately purchased units can be retrofitted to any Ergotech workstation or office mount.
- UL listing in process

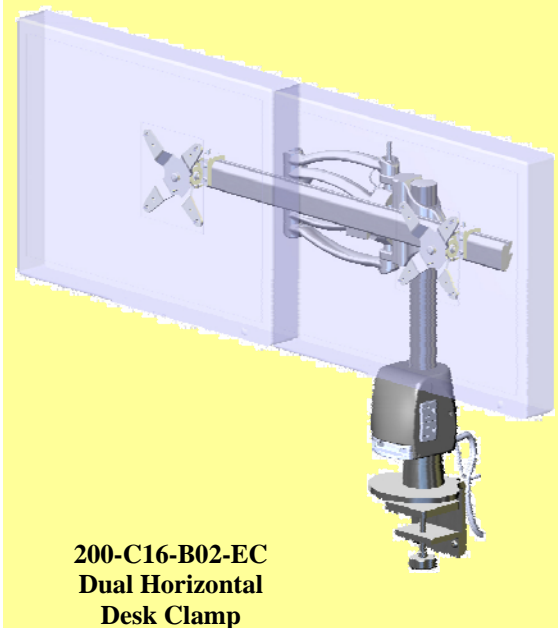
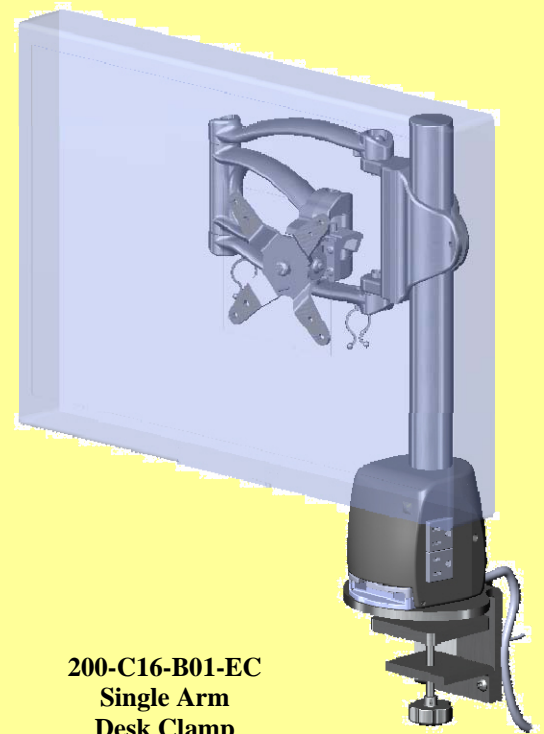
Product Specifications

- 120V / 15A
- 50/60 HZ
- 12 gauge wire

Product Options

- Available in 2 and 4 outlet versions
- Removable USB hub

Ergotech Group's Connectivity is designed for quick setup and provides outlets and ports conveniently placed for easy access and use.



Innovative Mounting Solutions

www.ergotechgroup.com

Revolutionary Design is Patent Pending

Additional configurations
available upon request

100-F16-B02-EC Dual Arm Flush Mount

SPECS

LCD Weight: Up to 25 lbs. each
Rotation: 360°
Tilt: 20°+/10°-
Color: Black



100-D16-B01-EC Single Desk Stand

SPECS

LCD Weight: Up to 25 lbs. each
Rotation: 360°
Tilt: 20°+/10°-
Color: Black



100-F28-B11-EC Dual Vertical

SPECS

LCD Weight: Up to 25 lbs. each
Rotation: 360°
Tilt: 20°+/10°-
Color: Black



100-D28-B22-EC Quad Mount

SPECS

LCD Weight: Up to 25 lbs. each
Rotation: 360°
Tilt: 20°+/10°-
Color: Black

